

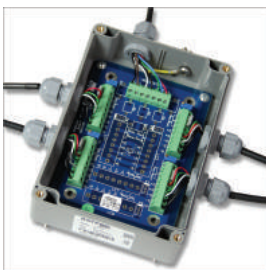
# BJP Industrial Junction Boxes

Precise, polyester and waterproof



## Typical Applications

- High capacity scales
- Weighbridges
- Industrial weighing applications
- In chemical environments which polyester can resist
- Weighing systems under lightning risk



## Features

- Up to 8 load cell connection
- Corner trimming by high long term stable components
- Stainless steel housing
- IP67 waterproof protection
- Easy eccentricity adjustment
- Lightning protection at all models
- Doesn't distort the signal balance of the matched load cells



## Heavy Industrial Products

- These instruments are designed for heavy industrial environments.
- IP30
- Wide Operating temperature range from -15 to 60 °C
- Lightning protection increases your system's reliability in long term



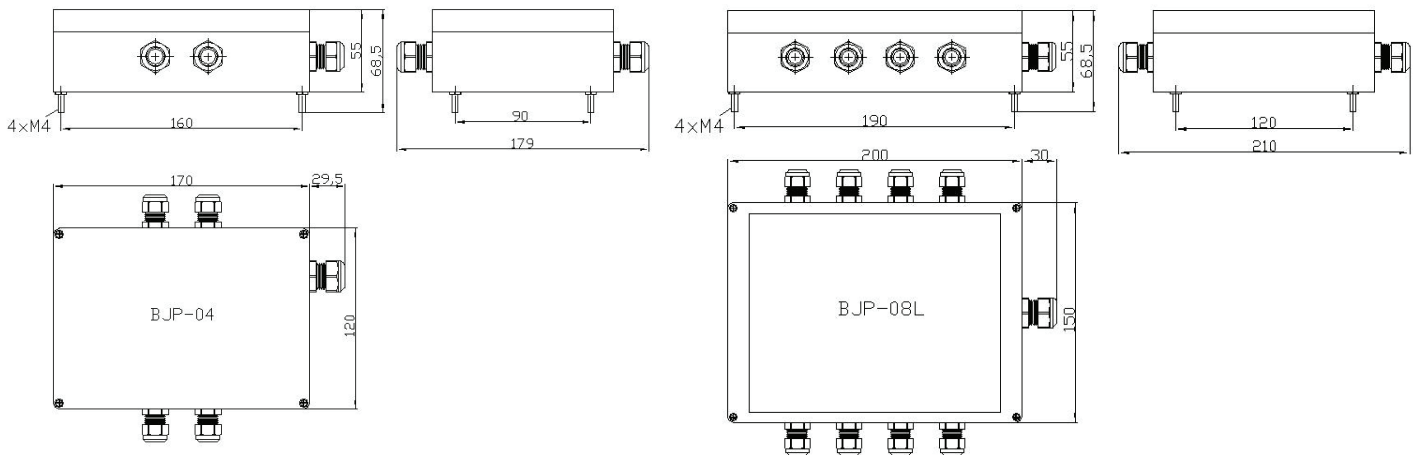
The scale accuracy is not only depend on the quality of the indicator and the load cell. The Junction box is the third very important instrument which determines the scale accuracy. Precision BJP series polyester junction boxes are designed to use in every kind of industrial weighing applications including weighbridges, tank scales, silo weighing systems, conveyor scales and high capacity scales etc., especially in the chemical environments which polyester resist.

The most accurate output is produced from matched load cells to high unbalanced load cells for scale accuracy and for easy calibration. The signal accuracy of the matched load cells are not changed because of the electronic circuitry in the junction box. There is no any adjustment limit even the output signal unbalances of load cells are too much.

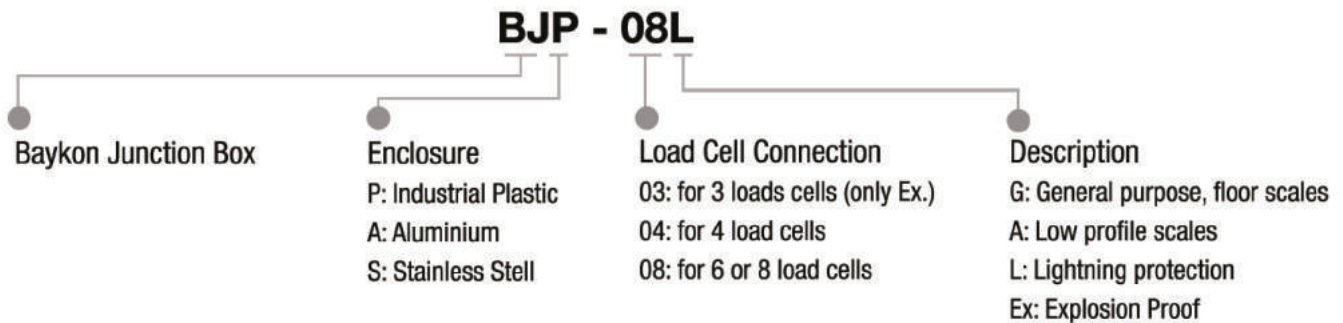
## Specifications

	BJP-04	BJP-08L
Technnology	Passive adjustment with precision components	
Load cell quantity	Up to 4	Up to 8
Lightning protection	No	Yes
Load cell impedance	350 ohm to 1200 ohm	
External grounding	Yes	
Sealing	Available	
Enclosure material	ABS, IP30	
Cable glands	PG9 for cable diameter 4 to 8 mm.	
Operating temperature range	-15 to +60 °C	
Humidity	90% RH max , non condensing	
Dimensions	120 x 55 x 170 mm.	150 x 55 x 200 mm.
Weight (packed)	560 gr.	765 gr.

## Dimensions



## Order Configuration for Baykon J. Boxes



(Specifications are subject to change without notice. 03 / 2016)